

Peplink Premium Deck mounts



Features

Rugged and heavy duty mounts are intended for deck and mast installations. The cable is protected inside the mount with direct feed through the deck or mast.

This mount is made from the highest quality Marine Grade Stainless Steel to withstand harsh weather conditions and prevent corrosion at sea.

Ordering information

Product Code	Description
ACW-650	Adapter for HD Dome series
ACW-651	1" 14 TPI female to Mobility thread
ACW-652	1" 14 TPI male adapter
ACW-653	1 1/4" 11 TPI male adapter

Application

- Deck Installations
- Mast Installations

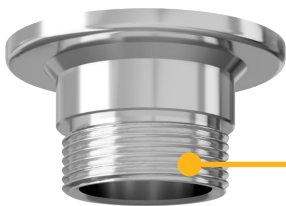
Contact Us

sales@peplink.com

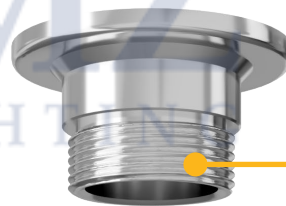
Find a Peplink Certified Partner

<https://www.peplink.com/peplink-certified-partners/>

Overview



ACW-650



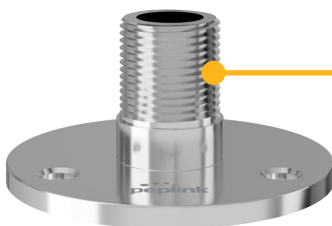
ACW-650



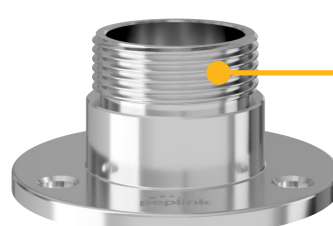
ACW-651



ACW-651



ACW-652



ACW-653

Overview



Compatible with MAX HD Dome series

Order Suggestion

For HD1 Dome, HD2 Dome, HD1 Dome Pro, HD2 Dome Pro:

ACW-650 + ACW-651 + ACW-653

For Dome Pro Duo:

ACW-651 + ACW-653



Compatible with Maritime Antenna series

Order Suggestion

ACW-652*

* The Deck Mount Set is included in the Maritime 40G Antenna Package.

* ACW-652 is not compatible with ANT-MR-20G-N-W-6.

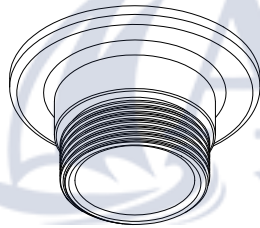
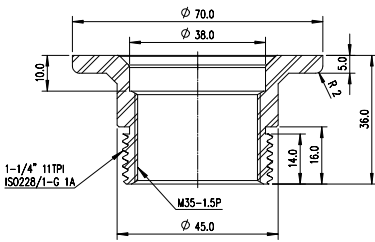
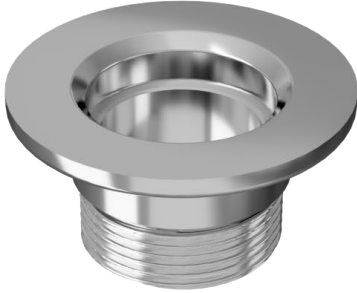


Compatible with Mobility Antenna series

Order Suggestion

ACW-651 + ACW-653

ACW-650



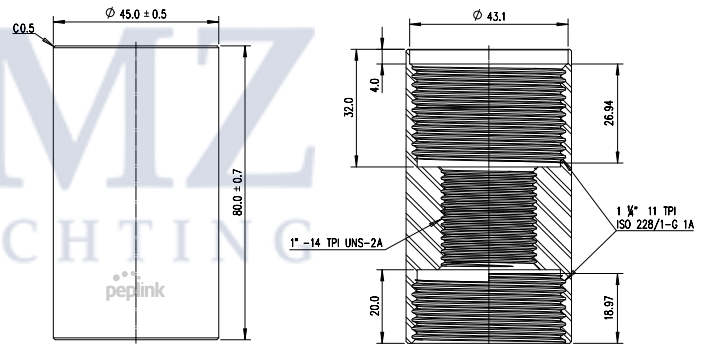
Mechanical Specification

Material	Stainless Steel SS316
Internal thread	M35x1.5 (compliant with HD Dome)
External thread	1" 14 TPI (fits to ACW-651)
Dimensions HxD	1.42" x 2.76" (36 x 70mm)
Weight	220g / 0.49 pounds

Ordering information

Product Code	Description
ACW-650	Adapter for HD Dome series

ACW-651



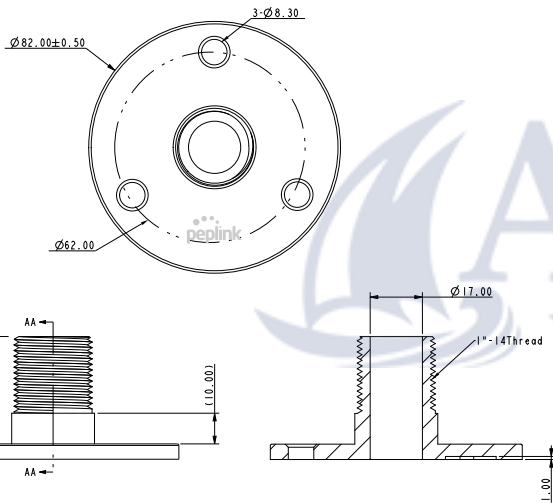
Mechanical Specification

Material	Stainless Steel SS316
Internal thread 1 (Top and Bottom)	1 1/4" 11 TPI
External thread 2 (Bottom)	1" 14 TPI
Dimensions HxD	3.15" x 1.77" (80 x 45mm)
Weight	350g / 0.77 pounds

Ordering information

Product Code	Description
ACW-651	1" 14 TPI female to Mobility thread

ACW-652



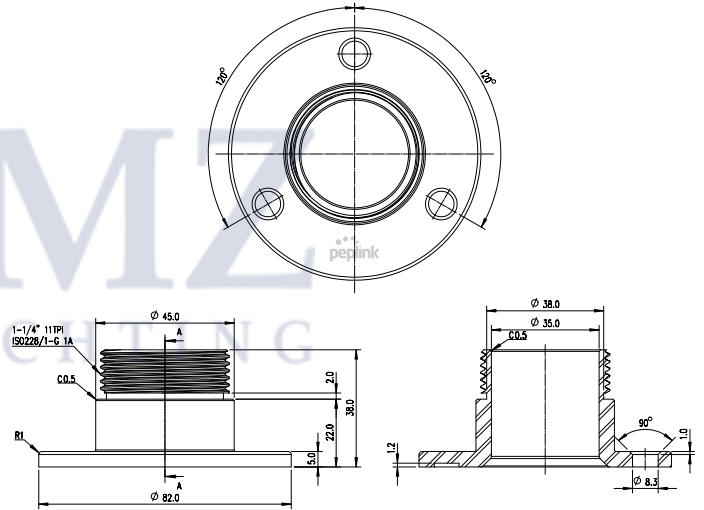
Mechanical Specification

Material	Stainless Steel SS316
External thread	1" 14 TPI
Dimensions HxD	1.57" x 3.23" (40 x 82mm)
Weight	250g / 0.55 pounds

Ordering information

Product Code	Description
ACW-652	1" 14 TPI male adapter

ACW-653



Mechanical Specification

Material	Stainless Steel SS316
External thread	1 1/4" 11 TPI
Dimensions HxD	1.50" x 3.23" (38 x 82mm)
Weight	270g / 0.60 pounds

Ordering information

Product Code	Description
ACW-653	1 1/4" 11 TPI male adapter